

# SLK20R

USB Fingerprint Scanner

Slim design

Live detection function



## Overview

SLK20R is a leading fingerprint scanner designed by ZKTeco USA laboratory which adopts the advanced optical design. It has a superior ability to do live fingerprint detection and capture high-quality fingerprint images by 2 Megapixel camera. It can be the most comfortable and affordable desktop enrollment and identification device.

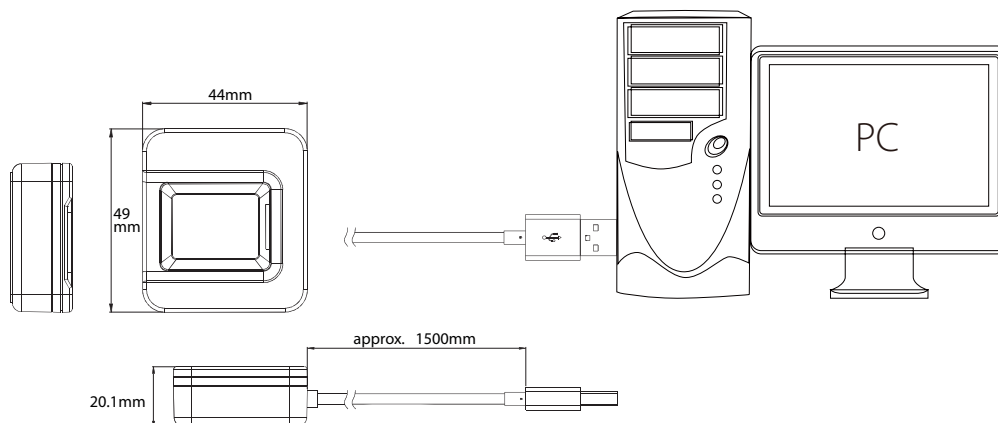
## Features

- Stable operation under strong light
- Support live fingerprint detection function
- Large fingerprint capture area and high image performance
- Quick recognition of dry, wet and rough fingerprints
- High Speed USB 2.0
- Low Power Idle Mode
- Vailable SDK for development

# Specifications

Model Name	SLK20R
Material	Optical
CPU	280MHz DSP
Flash	32 MB
SoC	RTOS[image out only]
Image Quality	2 million pixels CMOS
Encrypted Fingerprint Data	YES
Sunlight Operation	Yes, Dark field and Automatic Gain / Exposure
Water Splash	YES
Dry, Wet, or Rough Fingerprints	Work well
Power Consumption	5V:200mA Scanning;5V:60mA idle (waiting for finger)
Live Fingerprint Detection	YES
LED	White
Product Certifications	FCC, CE, RoHS, PIV
Power Voltage	5V (USB)
Power Current	200mA
Communication	USB 2.0 / USB1.1
Interface Socket	USB Type A
Image Resolution	500~1000 dpi
Effective Collecting Area	15.24 * 20.32 mm (FAP20)
Collecting Area	16.5 * 23 mm
Image Size	300 * 400 pixel (FAP20 )
Dimension	49 * 44 * 20.1mm (L*W*H)
Image Format	RAW, BMP, JPG
Template	ZKFinger V10.0 ; ISO19794-2 ; ANSI-378
Template Size	1- 4KB (ZKFinger V10.0);1568 B (ISO 19794-2)
Gray Level	256
Weight	0.12kg
Operating Environment	-20 °C ~ +50 °C; 90% r.h.

# Configuration



**Aristo Soft**

Tel. 02-496-0181 ถึง 4

Line Sale : @aristo

Facebook : aristosoftware

